

## Solis PLC CCO

### Accessories - Solis Data Logging Stick

Solis PLC CCO (CCO: Central Controller) is applied in PV systems to achieve power line communication. Power Line Communication is transmission of data over the AC Wires of the system.

#### Features:

- No need to lay communication cables, reducing construction costs and maintenance costs
- Strong anti-interference ability
- Support multi-terminal networking
- Stable network connection, real-time data transmission

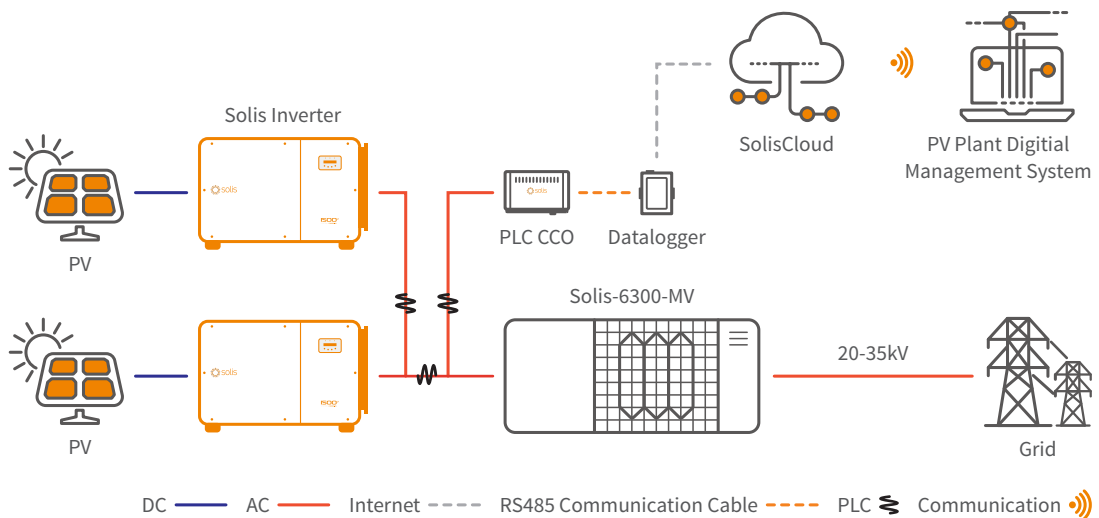


PLC CCO



1500V PLC CCO

### Utility Scale Solar PV Solution



**DATASHEET**
**Solis PLC CCO**

Models	PLC CCO	1500V PLC CCO
<b>Electrical</b>		
Power supply	100 V ~ 240 V AC, 50 Hz / 60 Hz	
Power consumption	<5 W	
AC port line voltage range	0 ~ 621 V AC	0 ~ 920 V AC
<b>Environment</b>		
Operating temperature range	-13°F to 158°F (-25 ~ +70°C)	
Relative humidity (non-condensing)	5% ~ 95%	
Max. operating altitude	4000 m	
<b>Communication</b>		
Max. number of connected inverters	80	60
Max. transmission rate	9600 bit/s	
<b>Mechanical</b>		
Dimensions (L*W*H)	7.1*4.7*1.8 in (180*120*45 mm)	10*6.5*1.8 in (255*165*45 mm)
Weight	0.72 lb (325 g)	1.1 lbs (485 g)
Protection degree	IP20	
Installation method	Hanging installation or Din Rail installation	Hanging installation