

# CERTIFICATE of Conformity



Registration No.: AK 50545769 0001

Report No.: 50213113 004

Holder: **Ginlong technologies Co., Ltd.**  
**No.57 Jintong Road, Binhai,**  
**(seafront), Industrial Park,**  
**Xiangshan Ningbo**  
**315712 Zhejiang**  
**P.R. China**

Product: **PV-Inverter**  
**(Grid-Connected PV Inverter)**

Identification: Type Designation : Solis-xK-5G, (x=25, 30, 33, 36, 40)  
S5-GCxK, (x=25, 30, 33, 36, 40)  
Serial Number : Engineering Samples  
Firmware version : A2  
Remark(s) : Refer to report 50213113 004 for details.  
Compliance with the requirements of RD 244/2019, Annex I.

Tested acc. to: RD 1699:2011  
UNE 206006 IN:2011  
UNE 206007-1 IN:2013  
NTS Version 2.0  
UNE 217001:2020

The certificate of conformity refers to the above mentioned product. This is to certify that the specimen is in conformity with the assessment requirement mentioned above. This certificate does not imply assessment of the production of the product and does not permit the use of a TÜV Rheinland mark of conformity.

Certification Body

Date 30.05.2022



Weichun Li

**TÜV Rheinland LGA Products GmbH - Tillystraße 2 - 90431 Nürnberg**

**TÜV Rheinland (China) Ltd.**  
Member of TÜV Rheinland Group



Ginlong technologies Co., Ltd.  
Zhang Kun

Date : 30.05.2022  
Our ref. : Yuany 01  
Your ref.: Kun Zhang

No.57 Jintong Road, Binhai,  
(seafront), Industrial Park,  
Xiangshan Ningbo  
315712 Zhejiang  
P.R. China

**Ref : AK Certificate of Conformity**

Type of Equipment : Grid-Connected PV Inverter  
Model Designation : See Certificate  
Certificate No. : AK 50545769 0001  
Report No. : 50213113 004

Dear Zhang Kun,

We herewith confirm that a sample of the above mentioned technical equipment has been tested and was found to be in accordance with the relevant requirements.

Enclosed please find your Certificate of Conformity.

We appreciate your kind support and would like to offer our assistance and continuous services in the future.

With kind regards,

Certification Body

Weichun Li

CC: Ginlong technologies Co., Ltd.

Enclosure

证书的详细资料请登陆[www.certipedia.com](http://www.certipedia.com)查阅,或拨打我司客服热线800 999 3668 / 400 883 1300咨询

**TÜV Rheinland (China) Ltd.**  
莱茵检测认证服务(中国)有限公司

Room 301, 3F and Room 1203,  
12F, Building C, CATIC Plaza, No.  
15, Ronghua South Road, Beijing  
Economic-Technological Develop-  
ment Area, 100176, Beijing

北京市北京经济技术开发区荣华南  
路15号院中航技广场C座3层301室  
12层1203室  
邮编: 100176

Tel: 86 10 8524 2222  
Fax: 86 10 8524 2200  
e-mail: [info@bj.chn.tuv.com](mailto:info@bj.chn.tuv.com)  
Internet: <http://www.chn.tuv.com>

# CERTIFICADO

## de conformidad

**Anexo a***Attachment to***No. de registro:** AK 50545769 0001  
*Registration No.***No. de informe:** 50213113 004  
*Report No.***Titular de licencia:** Ginlong technologies Co., Ltd.  
*License Holder***No.57 Jintong Road, Binhai, (seafront) industrial Park, Xiangshan, Ningbo, zhejiang, 315712, P.R. China****Tipo de producción:** Inversor fotovoltaico conectado a la red  
*Type of production***Modelo:** Solis-xK-5G,(x=25,30,33,36,40)  
*Model* S5-GCxK,(x=25,30,33,36,40)**Versión de firmware:** A2  
*Firmware version***Estándar:** RD 1699 : 2011  
*Standards* UNE 206006 IN : 2011  
UNE 206007-1 IN : 2013  
UNE 217001 :2020  
NTS Version 2.0 Type A  
RD 244 / 2019, ANEXO I**Fecha de emisión:** 31.05.2022  
*Date of issue*

El certificado de conformidad hace referencia al producto mencionado anteriormente. Esto es para certificar que la muestra se encuentra en conformidad con el requisito de evaluación mencionado anteriormente. Este certificado no implica una evaluación de la producción del producto y no permite el uso de una marca de conformidad TÜV Rheinland.

*The certificate of conformity refers to the above mentioned product. This is to certify that the specimen is in conformity with the assessment requirement mentioned above. This certificate does not imply assessment of the production of the product and does not permit the use of a TÜV Rheinland mark of conformity.*

<b>Información del inversor</b> Inverter information			
<b>Modelo</b> Model	<b>S5-GC25K</b>	<b>S5-GC30K</b>	<b>S5-GC33K</b>
<b>Potencia nominal CA</b> Nominal AC Power	25000 W	30000 W	33000 W
<b>Tensión nominal CA</b> Nominal AC voltage	230/400V, 3/N/PE	230/400V, 3/N/PE	230/400V, 3/N/PE
<b>Corriente máxima CA</b> Maximal AC current	41.8 A	50.2 A	55.1 A
<b>Frecuencia nominal</b> Nominal frequency	50 Hz	50 Hz	50 Hz
<b>Rango de tensión MPPT</b> MPPT voltage range	200-1000 V		
<b>Tensión CC máxima</b> Max. DC voltage	1100 V	1100 V	1100 V
<b>Corriente DC máxima</b> Max. DC current	32.0/32.0/32.0 A	32.0/32.0/32.0 A	32.0/32.0/32.0 A
<b>Elemento de control</b> Control device	Controller in Inverter	Controller in Inverter	Controller in Inverter
<b>Tipo de dispositivo de control</b> Type of control device	Integrated	Integrated	Integrated

<b>Información del inversor</b> Inverter information			
<b>Modelo</b> Model	<b>S5-GC36K</b>	<b>S5-GC40K</b>	
<b>Potencia nominal CA</b> Nominal AC Power	36000 W	40000 W	
<b>Tensión nominal CA</b> Nominal AC voltage	230/400V, 3/N/PE	230/400V, 3/N/PE	
<b>Corriente máxima CA</b> Maximal AC current	60.2 A	66.9 A	
<b>Frecuencia nominal</b> Nominal frequency	50 Hz	50 Hz	
<b>Rango de tensión MPPT</b> MPPT voltage range	200-1000 V		
<b>Tensión CC máxima</b> Max. DC voltage	1100 V	1100 V	
<b>Corriente DC máxima</b> Max. DC current	32.0/32.0/32.0/32.0 A	32.0/32.0/32.0/32.0 A	
<b>Elemento de control</b> Control device	Controller in Inverter	Controller in Inverter	
<b>Tipo de dispositivo de control</b> Type of control device	Integrated	Integrated	

<b>Información del inversor</b> Inverter information			
<b>Modelo</b> Model	<b>Solis-25K-5G</b>	<b>Solis-30K-5G</b>	<b>Solis-33K-5G</b>
<b>Potencia nominal CA</b> Nominal AC Power	25000 W	30000 W	33000 W
<b>Tensión nominal CA</b> Nominal AC voltage	230/400V, 3/N/PE	230/400V, 3/N/PE	230/400V, 3/N/PE
<b>Corriente máxima CA</b> Maximal AC current	41.8 A	50.2 A	55.1 A
<b>Frecuencia nominal</b> Nominal frequency	50 Hz	50 Hz	50 Hz
<b>Rango de tensión MPPT</b> MPPT voltage range	200-1000 V		
<b>Tensión CC máxima</b> Max. DC voltage	1100 V	1100 V	1100 V
<b>Corriente DC máxima</b> Max. DC current	26.0/26.0/26.0 A	26.0/26.0/26.0 A	26.0/26.0/26.0 A
<b>Elemento de control</b> Control device	Controller in Inverter	Controller in Inverter	Controller in Inverter
<b>Tipo de dispositivo de control</b> Type of control device	Integrated	Integrated	Integrated

<b>Información del inversor</b> Inverter information			
<b>Modelo</b> Model	<b>Solis-36K-5G</b>	<b>Solis-40K-5G</b>	
<b>Potencia nominal CA</b> Nominal AC Power	36000 W	40000 W	
<b>Tensión nominal CA</b> Nominal AC voltage	230/400V, 3/N/PE	230/400V, 3/N/PE	
<b>Corriente máxima CA</b> Maximal AC current	60.2 A	66.9 A	
<b>Frecuencia nominal</b> Nominal frequency	50 Hz	50 Hz	
<b>Rango de tensión MPPT</b> MPPT voltage range	200-1000 V		
<b>Tensión CC máxima</b> Max. DC voltage	1100 V	1100 V	
<b>Corriente DC máxima</b> Max. DC current	26.0/26.0/26.0/26.0 A	26.0/26.0/26.0/26.0 A	
<b>Elemento de control</b> Control device	Controller in Inverter	Controller in Inverter	
<b>Tipo de dispositivo de control</b> Type of control device	Integrated	Integrated	

<b>Información general del transductor de corriente externo / medidor de potencia <sup>1)</sup></b>			
General information of external current transductor/ power meter			
<b>Fabricante</b> Manufacturer	Acrel	Ginlong	Ginlong
<b>Modelo</b> Model	DTSD1352-C	Solis-EPM3-5G	Solis-EPM3-5G-PLUS
<b>Aplicación</b> Application	3 phase	3 phase	3 phase
<b>Tensión nominal</b> Nominal voltage	230/400Vac,3/N/PE	230/400Vac,3/N/PE	400Vac,3/N/PE
<b>Corriente máxima</b> Max. current	200A	300A	300A
<b>Clase de precisión</b> Class of accuracy	Class 1 or better	Class 1 or better	Class 1 or better
<b>Tipo de comunicación</b> Type of communication	RS485	RS485	RS485



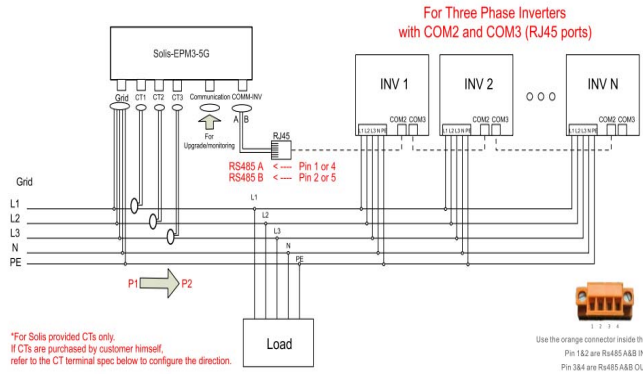
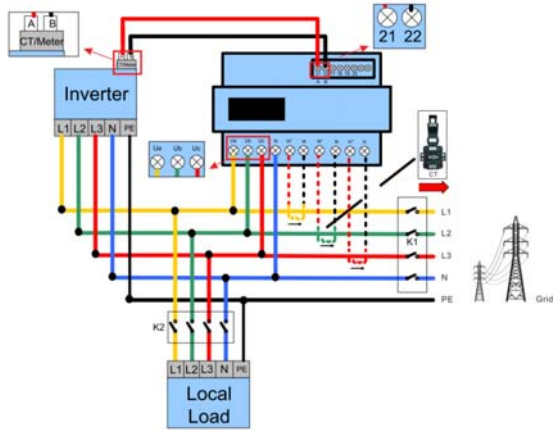
**Esquema básico del sistema \*)**

Basic system diagram

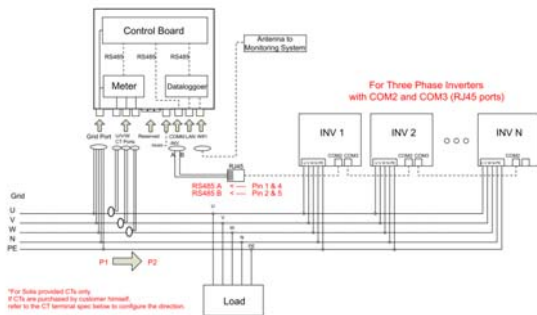
Meter Model: DTSD1352-C

EPM Model: Solis-EPM3-5G

**System Connecton Diagram**



EPM Model: Solis-EPM3-5G-PLUS



\*) Para cumplir los requisitos de RD 244/2019, ANEXO I y UNE 217001 IN : 2020, se instalará el dispositivo adicional.  
For fulfill the requirements of RD 244/2019, ANEXO I and UNE 217001 IN : 2020, the additional device shall be installed.